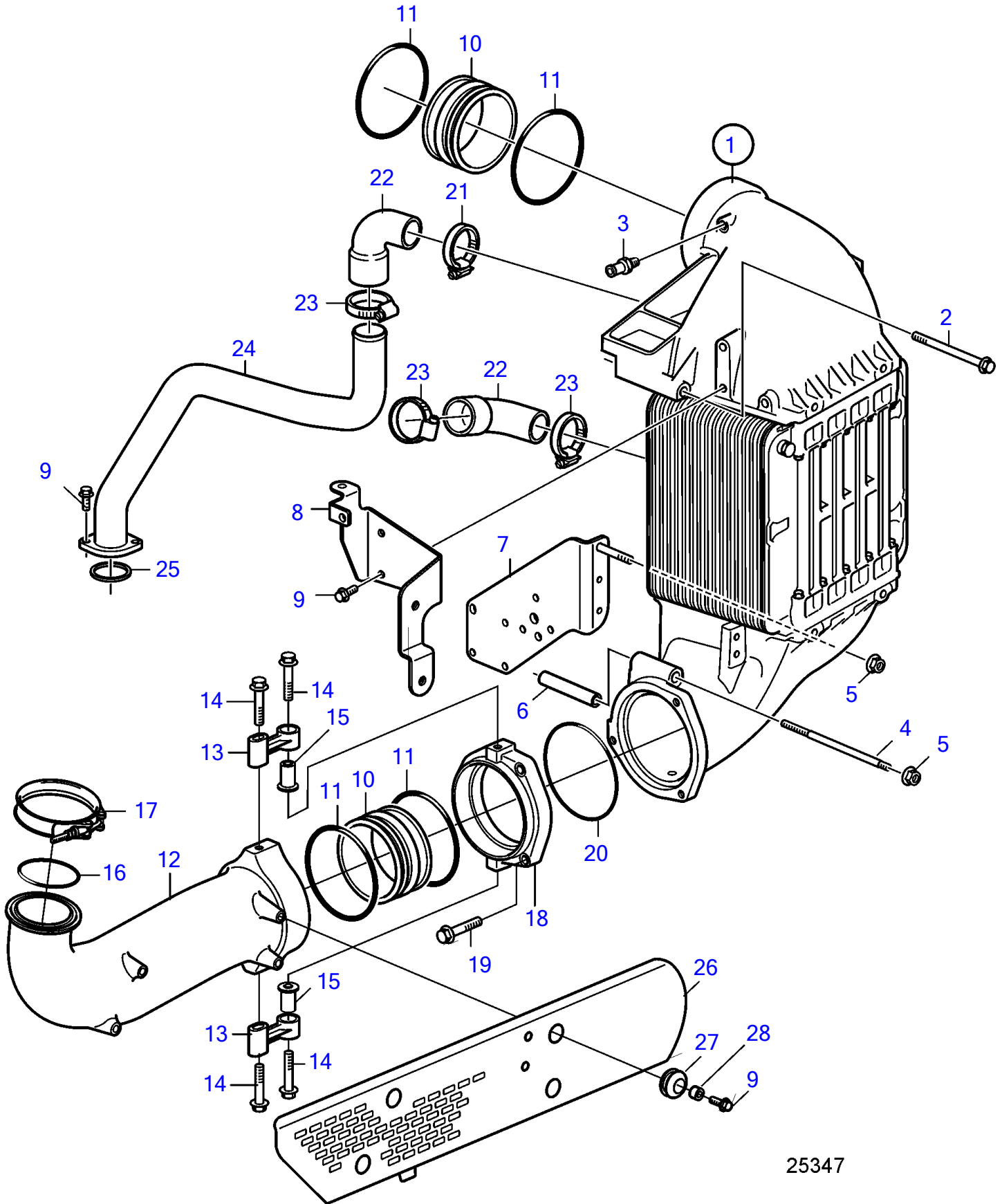


D13B-B MP, D13B-D MP



25347

D13B-B MP, D13B-D MP

REF	PART NO.	QTY	DESCRIPTION	SEE SEC.
1	3889640	1	Intercooler	
			•	36752
2	973096	4	Flange screw	
3	858185	1	Hose coupling	
4	969199	1	Stud	
5	971095	2	Flange nut	
6	994003	1	Spacer sleeve	
7	3875281	131	Bracket	
8		1	Bracket	
9	946173	11	Flange screw	
10	3808387	2	Connector	
11	3812484	4	O-ring	
12	21506990	1	Charge air pipe	
13	3594032	2	Link arm	
14	973924	4	Flange screw	
15	3849960	1	Sleeve	
16	945512	1	O-ring	
17	3886542	1	V-band clamp	
18	21179599	1	Adapter	
19	947760	3	Flange screw	
20	948888	1	O-ring	
21	961669	2	Hose clamp	
22	3593877	2	Hose	
23	961670	3	Hose clamp	
24	21186437	1	Water pipe	
25	864491	1	Gasket	
26	21330039	1	Heat shield	
27	3886025	4	• Rubber bushing	
28	3830336	4	• Spacer	